



15SW100-8

15in Low Frequency Driver

Features

- 4in Voicecoil
- High Sensitivity

Specifications

Nominal Diameter	380mm (15in)
Nominal Power (AES) ¹	1000W
Program Power ²	2000W
Sensitivity (1W/1m) ³	98dB
Voice Coil Diameter	100mm (4in)
Magnet Material	Neodymium
Nominal Impedance	8Ω
Frequency Range	35 - 3000 Hz

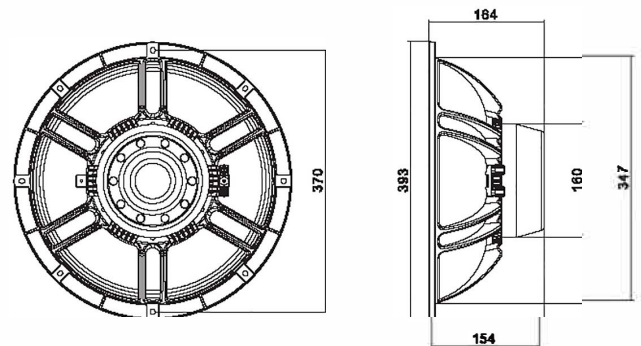
Thiele & Small Parameters

Fs	36.8 Hz
Qes	0.24
Qts	0.23
Qms	24.0
Re	5.1Ω
Sd	850cm ²
Vas	124L
BxL	28.7Tm
Mms	153.7g
Le (1kHz)	1.3mH
Xmax (lin.) ⁴	±6mm

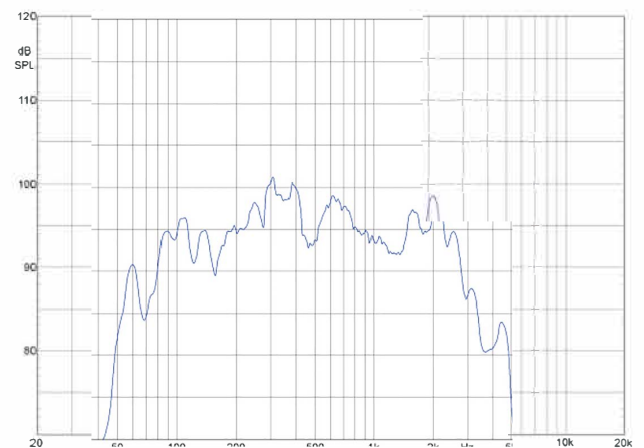
Mounting Information

Overall Diameter	393mm
Mounting Holes Diameter	8x 8mm x 6.5mm
Bolt Circle Diameter	370mm
Baffle Cutout	350mm
Overall Depth	164mm
Net Weight	7.8kg

Notes: 1 2 hours test with pink noise (6dB crest) between Fs and 10Fs. Power calculated on rated minimum Impedance.
 2 Program Power is defined as 3dB greater than the AES Power
 3 RMS Voltage set to 2.83V at nominal Impedance
 4 Xmax is defined as (Hc - Hg)/2



Frequency response measured in a vented enclosure with 90L, tuned at 40Hz



Impedance for 8Ω driver

